

NOTES:

1. THE FOUNDATION SHALL BE LOCATED AS INDICATED ON THE PROJECT PLAN SHEETS. THE FOUNDATION LOCATION SHALL BE FIELD VERIFIED BY ACHD PRIOR TO FOUNDATION INSTALLATION.
2. SIGNAL CABINETS SHOULD BE ORIENTED SUCH THAT THE INTERSECTION IS IN FRONT OF A PERSON OPERATING THE CONTROLLER PANEL (I.E., THE CONTROLLER DOOR OPENS AWAY FROM THE INTERSECTION).
3. A THREE (3) FOOT (MIN.) CONCRETE LANDING PAD FOUR (4) INCHES THICK SHOULD BE PLACED IN FRONT OF THE PANEL DOOR FOR CONTROLLER ACCESS. WHERE APPLICABLE, A SIDEWALK CAN SUBSTITUTE FOR THE LANDING PAD REQUIREMENT.
4. ALL CONDUITS, ELBOWS AND COUPLINGS WITHIN AND PROTRUDING FROM THE FOUNDATION SHALL BE RIGID PVC. THE REMAINING CONDUITS SHALL BE AS SHOWN ON THE PLANS.
5. MOLDED PLUGS SHALL BE REQUIRED AT BOTH ENDS OF SPARE CONDUITS.
6. USE DIMENSION "A" FOR THE CABINET FOUNDATION AND PAD WHEN THE SERVICE PEDESTAL IS NOT REQUIRED.
7. GROUND IN ACCORDANCE WITH N.E.C.
8. CONDUIT SHALL BE INSTALLED IN SUCH A MANNER AS TO NOT CAUSE MODIFICATION OF THE CABINET.
9. 6" WIDE ELECTRICAL HAZARD TAPE INSTALLED 1'-0" ABOVE CONDUIT (TYP. FOR ALL CONDUIT).
10. SEE SIGNAL PLAN FOR NUMBER OF CONDUITS AND CONDUIT ROUTING.
11. CONTRACTOR SHALL OBTAIN BOLT PATTERN REQUIREMENTS FROM THE ACHD TRAFFIC SIGNAL INSPECTOR.



3/26/2014

FOUNDATION SCHEDULE																								
CABINET TYPE	FOUNDATION TYPE	CABINET ONLY					CABINET AND SERVICE PEDESTALS																	
		A	B	C	D	E	HOOPS		VERTICAL RODS		CU. YDS. CONC.		ANCHOR BOLT											
						NO.	SIZE	LN. FT.	NO.	SIZE	LN. FT.	FOUNDATION	PAD	NO.	SIZE	LN. FT.	FOUNDATION	PAD	QNTY.	SIZE				
SIGNAL	M	2'-8"	1'-9"	—	—	1'-0"	3	#4	24'0"	8	#4	13'0"	0.5	0.1	3	#4	38'6"	8	#4	17'4"	1.05	0.2	2	3" x 18" x 4"
	P	4'-0.5"	2'-6"	3'-4.5"	1'-6.5"	—	3	#4	36'6"	8	#4	13'0"	1.1	0.1	3	#4	50'0"	8	#4	17'4"	1.90	0.2	4	3" x 18" x 4"

▲		
▲	1/4"	3/8"
▲	1/2"	3/4"
▲	3/4"	1"
▲	1"	1 1/4"
▲	1 1/4"	1 3/4"
▲	1 3/4"	2"
▲	2"	2 1/4"
▲	2 1/4"	2 3/4"
▲	2 3/4"	3"
▲	3"	3 1/4"
▲	3 1/4"	3 3/4"
▲	3 3/4"	4"
▲	4"	4 1/4"
▲	4 1/4"	4 3/4"
▲	4 3/4"	5"
▲	5"	5 1/4"
▲	5 1/4"	5 3/4"
▲	5 3/4"	6"
▲	6"	6 1/4"
▲	6 1/4"	6 3/4"
▲	6 3/4"	7"
▲	7"	7 1/4"
▲	7 1/4"	7 3/4"
▲	7 3/4"	8"
▲	8"	8 1/4"
▲	8 1/4"	8 3/4"
▲	8 3/4"	9"
▲	9"	9 1/4"
▲	9 1/4"	9 3/4"
▲	9 3/4"	10"
▲	10"	10 1/4"
▲	10 1/4"	10 3/4"
▲	10 3/4"	11"
▲	11"	11 1/4"
▲	11 1/4"	11 3/4"
▲	11 3/4"	12"
▲	12"	12 1/4"
▲	12 1/4"	12 3/4"
▲	12 3/4"	13"
▲	13"	13 1/4"
▲	13 1/4"	13 3/4"
▲	13 3/4"	14"
▲	14"	14 1/4"
▲	14 1/4"	14 3/4"
▲	14 3/4"	15"
▲	15"	15 1/4"
▲	15 1/4"	15 3/4"
▲	15 3/4"	16"
▲	16"	16 1/4"
▲	16 1/4"	16 3/4"
▲	16 3/4"	17"
▲	17"	17 1/4"
▲	17 1/4"	17 3/4"
▲	17 3/4"	18"
▲	18"	18 1/4"
▲	18 1/4"	18 3/4"
▲	18 3/4"	19"
▲	19"	19 1/4"
▲	19 1/4"	19 3/4"
▲	19 3/4"	20"
▲	20"	20 1/4"
▲	20 1/4"	20 3/4"
▲	20 3/4"	21"
▲	21"	21 1/4"
▲	21 1/4"	21 3/4"
▲	21 3/4"	22"
▲	22"	22 1/4"
▲	22 1/4"	22 3/4"
▲	22 3/4"	23"
▲	23"	23 1/4"
▲	23 1/4"	23 3/4"
▲	23 3/4"	24"
▲	24"	24 1/4"
▲	24 1/4"	24 3/4"
▲	24 3/4"	25"
▲	25"	25 1/4"
▲	25 1/4"	25 3/4"
▲	25 3/4"	26"
▲	26"	26 1/4"
▲	26 1/4"	26 3/4"
▲	26 3/4"	27"
▲	27"	27 1/4"
▲	27 1/4"	27 3/4"
▲	27 3/4"	28"
▲	28"	28 1/4"
▲	28 1/4"	28 3/4"
▲	28 3/4"	29"
▲	29"	29 1/4"
▲	29 1/4"	29 3/4"
▲	29 3/4"	30"
▲	30"	30 1/4"
▲	30 1/4"	30 3/4"
▲	30 3/4"	31"
▲	31"	31 1/4"
▲	31 1/4"	31 3/4"
▲	31 3/4"	32"
▲	32"	32 1/4"
▲	32 1/4"	32 3/4"
▲	32 3/4"	33"
▲	33"	33 1/4"
▲	33 1/4"	33 3/4"
▲	33 3/4"	34"
▲	34"	34 1/4"
▲	34 1/4"	34 3/4"
▲	34 3/4"	35"
▲	35"	35 1/4"
▲	35 1/4"	35 3/4"
▲	35 3/4"	36"
▲	36"	36 1/4"
▲	36 1/4"	36 3/4"
▲	36 3/4"	37"
▲	37"	37 1/4"
▲	37 1/4"	37 3/4"
▲	37 3/4"	38"
▲	38"	38 1/4"
▲	38 1/4"	38 3/4"
▲	38 3/4"	39"
▲	39"	39 1/4"
▲	39 1/4"	39 3/4"
▲	39 3/4"	40"
▲	40"	40 1/4"
▲	40 1/4"	40 3/4"
▲	40 3/4"	41"
▲	41"	41 1/4"
▲	41 1/4"	41 3/4"
▲	41 3/4"	42"
▲	42"	42 1/4"
▲	42 1/4"	42 3/4"
▲	42 3/4"	43"
▲	43"	43 1/4"
▲	43 1/4"	43 3/4"
▲	43 3/4"	44"
▲	44"	44 1/4"
▲	44 1/4"	44 3/4"
▲	44 3/4"	45"
▲	45"	45 1/4"
▲	45 1/4"	45 3/4"
▲	45 3/4"	46"
▲	46"	46 1/4"
▲	46 1/4"	46 3/4"
▲	46 3/4"	47"
▲	47"	47 1/4"
▲	47 1/4"	47 3/4"
▲	47 3/4"	48"
▲	48"	48 1/4"
▲	48 1/4"	48 3/4"
▲	48 3/4"	49"
▲	49"	49 1/4"
▲	49 1/4"	49 3/4"
▲	49 3/4"	50"



Drawn By: J. Smith	Checked By: J. Smith
Date: 02/26/10	Date: 02/26/10
Scale: 1/4" = 1'-0"	Scale: 1/4" = 1'-0"
Project: 11111111	Project: 11111111

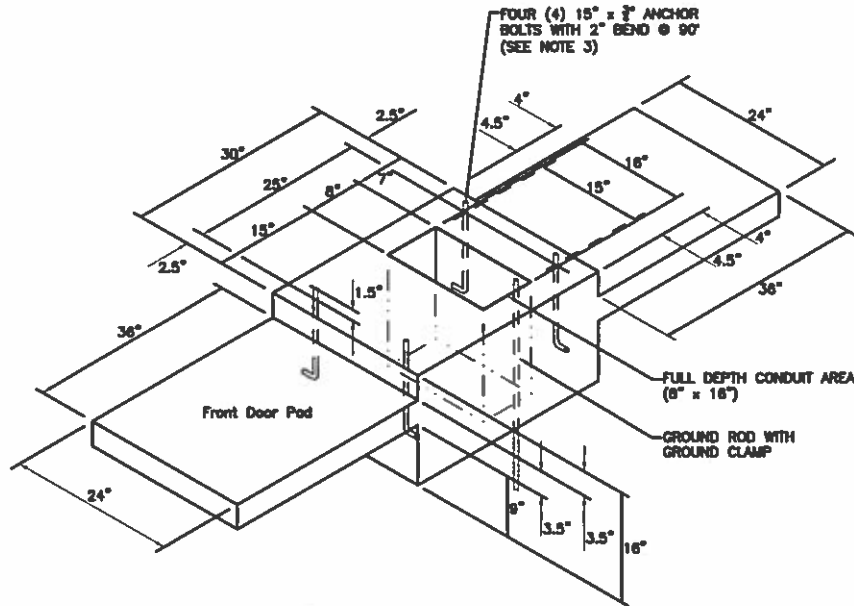
Standard Cabinet Foundation Detail



TS-1111

NOTES:

1. INSTALL GROUND ROD WIRE CONDUIT IN ALL CABINET FOUNDATIONS. GROUND ROD WIRE CONDUIT SHALL BE USED WHEN AN ADDITIONAL GROUND ROD IS REQUIRED.
2. BONDING AND GROUNDING SHALL MEET THE NATIONAL ELECTRIC CODE AND ACHD STANDARDS.
3. VENDOR WILL PROVIDE DMS CABINET.



**FOUNDATION DETAIL
FOR ITS (MODEL 334) CABINET**

3/12/2012



▲			
▲			
▲	12/10/11	ADD	Added note.
▲	08/11/11	BY	TS-1111



Number: 1111	Drawn By: Andrew Smith
Date: 12/10/11	Checked By: Andrew Smith
File: ts-1111.dwg	Approved By: Bob Larson

SIGNATURE	HEET TITLE
	Standard ITS Cabinet Foundation Detail

TS-1111