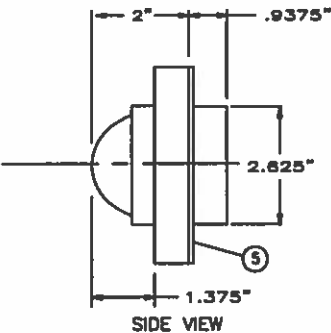


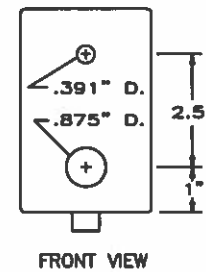
FRONT VIEW

TOP VIEW

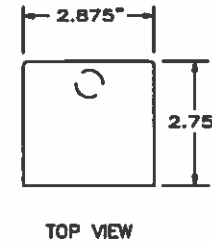
PUSH BUTTON



SIDE VIEW

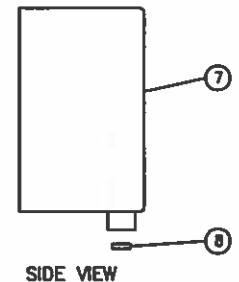


FRONT VIEW

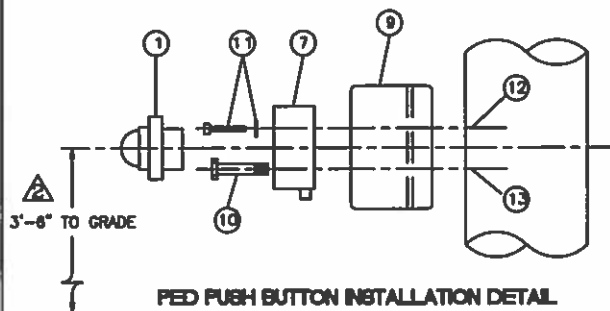


TOP VIEW

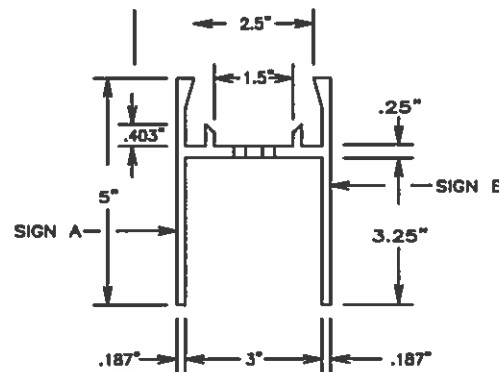
CONDULET DRILLING DETAIL



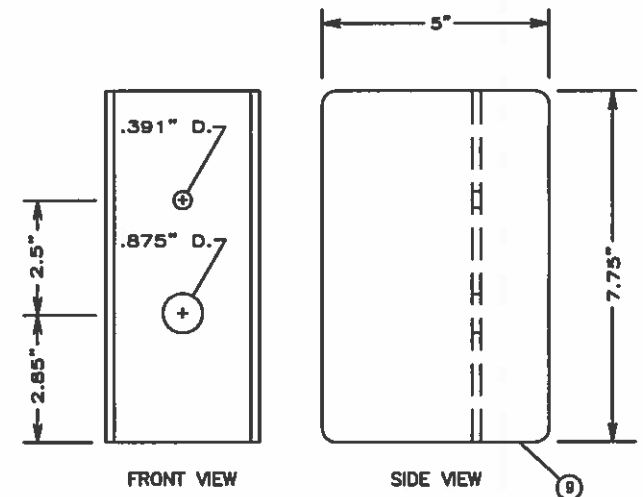
SIDE VIEW



PED PUSH BUTTON INSTALLATION DETAIL



TOP VIEW



FRONT VIEW

SIDE VIEW

ALUMINUM "H" EXTRUSION DRILLING DETAIL

Notes:

- ① Push button switch assembly
- ② Cast metal housing
- ③ Protective collar
- ④ 2 1/2" Dia. chrome mushroom push button switch with momentary contacts
- ⑤ Gasket
- ⑥ Stainless steel fastener (typ.)
- ⑦ Cast aluminum conduit

- ⑧ Aluminum plug with #30 drilled weep hole (remove to provide wire entrance on timber pole installation)
- ⑨ Aluminum "H" extrusion
- ⑩ Chase nipple - 1/2" hex head x 1/2" pipe thread x 2 1/2" long
- ⑪ 1/2"-16 by 2 1/2" stainless steel bolt with washer

- ⑫ Drill and tap shaft for 1/2"-16 bolt
- ⑬ Drill and tap shaft for 1/2" nipple

NO.	DATE	BY	REVISION



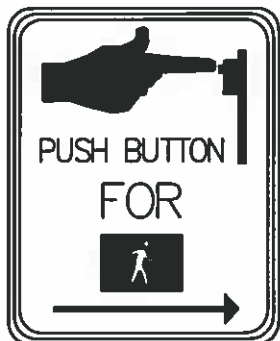
Scale: 1/8" = 1"	Drawn By: [Blank]
Date: 04/16/07	Design By: [Blank]
File: 00-1100a-200	Approved By: [Blank]

Standard Ped  
Push Button Detail

10/22/2010



TS-1108



SIGN A



SIGN B

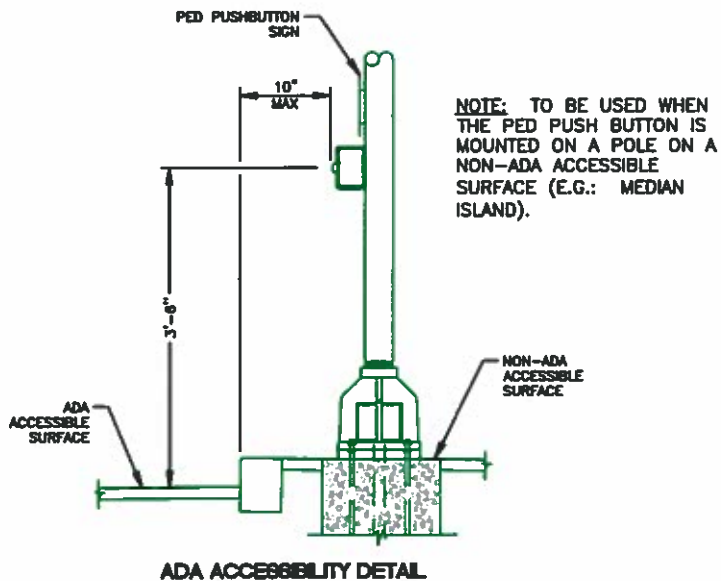
⚠️ SIGN R10-3

**NOTES:**

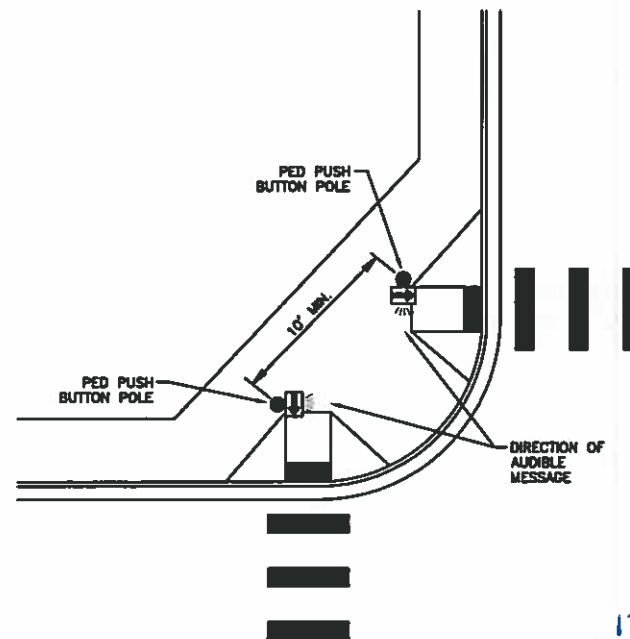
1. ALL PEDESTRIAN PUSH BUTTON SIGNS SHALL MEET THE REQUIREMENTS OF THE MOST RECENTLY ADOPTED VERSION OF THE MUTCD.
2. SIGNS MAY BE MOUNTED IMMEDIATELY ABOVE OR INCORPORATED INTO THE PUSHBUTTON UNITS.
3. THE FINGER IN THE PUSHBUTTON SYMBOL SHOULD POINT IN THE SAME DIRECTION AS THE ARROW ON THE SIGN.

**NOTES:**

1. THE PED PUSH BUTTON POLE MAY SUPPORT A PUSH BUTTON ONLY OR, WHEN LOCATED ON A PED POLE, ALSO SUPPORT A PED SIGNAL INDICATION.
2. THE PED PUSH BUTTON, WHEN LOCATED ON A SIGNAL POLE, MAY ALSO SUPPORT A SIGNAL MAST ARM AND LUMINAIRE.
3. THE PED PUSH BUTTON, WHEN LOCATED ON A LUMINAIRE, MAY ALSO SUPPORT A PED SIGNAL INDICATION.



ADA ACCESSIBILITY DETAIL



⚠️ 'IDEAL' PED PUSH BUTTON PLACEMENT

12/3/2013



NO.	DATE	BY	DESCRIPTION
1	12/1/13	JEB	Changed push button sign
2	12/1/13	JEB	Minor modifications to push button detail
3	12/1/13	JEB	Added push button placement detail



DESIGNER		CHECKER	
Drawn By: JEB	Checked By: JEB	Drawn By: JEB	Checked By: JEB
Date: 12/02/13	Date: 12/02/13	Drawn By: JEB	Checked By: JEB
File: 12-1108-P02	Approved By: Jim Lorenz		

PROJECT TITLE	
Standard Ped Push Button Detail	

CHANGED USING ILL. TS-1108