

Notes:

1. This drawing shows typical installation details only. See plan sheets for quantity of signal and lighting components to be installed.
2. Orientation of signal components shall be as shown unless otherwise specified on the plan sheets.
3. See ACHD Detail No. TS-1110 for foundation details.
4. All signal components shall be leveled after the pole has been plumbed.
5. The specific location of each pole installation shall be as indicated on the project plan sheets. Pole locations shall be field verified by ACHD prior to foundation installation.
6. All signals shall comply with the latest edition of the Manual on Uniform Traffic Control Devices.

7. See ACHD Standard Detail TS-1108 for ped push button details. Ped push buttons shall be installed in compliance with the Americans with Disabilities Act and the latest edition of the Manual on Uniform Traffic Control Devices.

3/12/2012

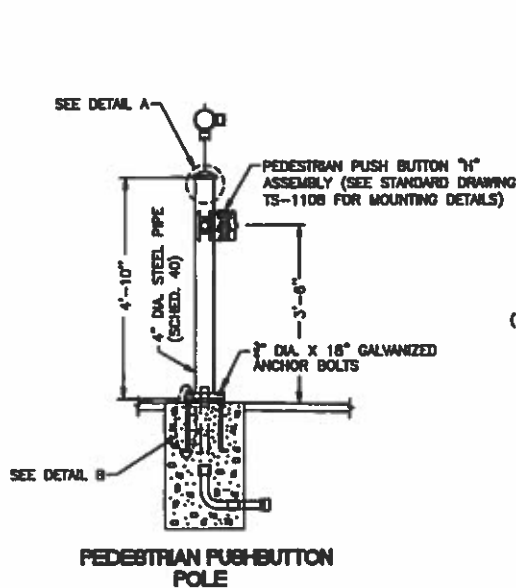




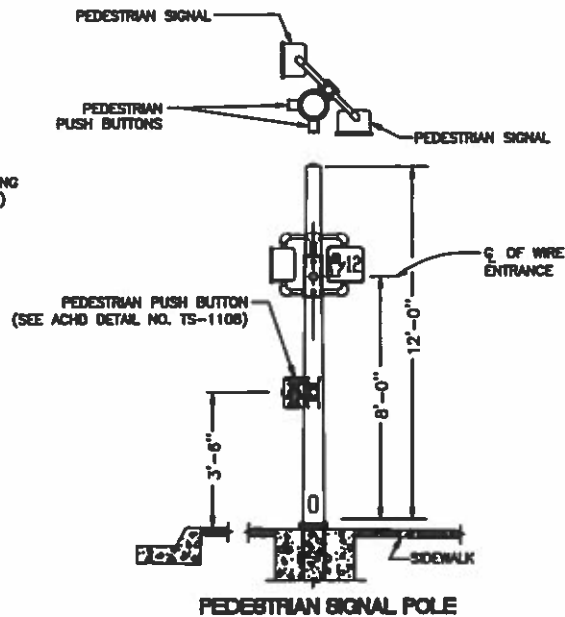
• S I G N A T U R E S •			
Drawn By	Checked By	Design Date	Project Name

• S E E R Y T I T L E •	
Standard Traffic Signal Mast Arm and Pole Details	

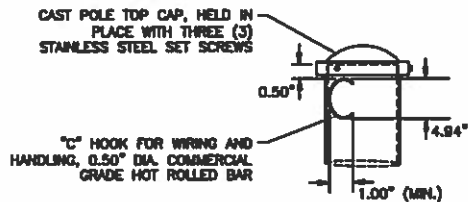
• Standard Detail, Inc. •
TS-1106



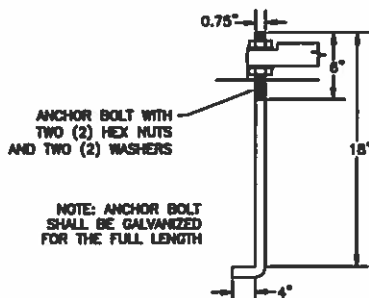
PEDESTRIAN PUSHBUTTON POLE



PEDESTRIAN SIGNAL POLE

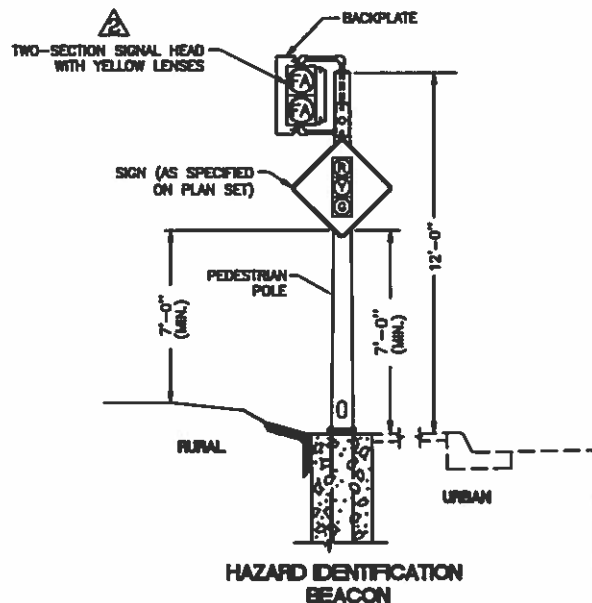


PEDESTRIAN PUSHBUTTON POLE - DETAIL A



PEDESTRIAN PUSHBUTTON POLE - DETAIL B

- NOTES:**
1. THIS DRAWING SHOWS TYPICAL INSTALLATION DETAILS ONLY. SEE PLAN SHEETS FOR QUANTITY AND LOCATION OF SIGNAL AND LIGHTING COMPONENTS TO BE INSTALLED.
 2. ORIENTATION OF SIGNAL COMPONENTS SHALL BE AS SHOWN UNLESS OTHERWISE SPECIFIED ON THE PLAN SHEETS.
 3. SEE ACHD STANDARD DRAWING TS-1110 FOR FOUNDATION DETAILS.
 4. ALL SIGNAL COMPONENTS SHALL BE LEVELED AFTER THE POLE HAS BEEN PLUMBED.
 5. SPECIFIC LOCATION OF EACH POLE INSTALLATION SHALL BE AS INDICATED ON THE PROJECT PLAN SHEETS. THE LOCATION SHALL BE FIELD VERIFIED BY ACHD PRIOR TO FOUNDATION INSTALLATION.
 6. ALL CONDUIT ELBOWS USED IN CONCRETE BASES SHALL BE RPC.
 7. SEE ACHD STANDARD DETAIL TS-1108 FOR PED PUSHBUTTON DETAILS. PED PUSHBUTTONS SHALL BE INSTALLED IN COMPLIANCE WITH THE AMERICANS WITH DISABILITIES ACT.



HAZARD IDENTIFICATION BEACON

3/12/2012



11/11	200	Modified beacon details, added ped pole details
10/10	200	Changed pedestrian pole height to 12'-0"
04/08	02	REVISION



SIGNATORIES			
Author: JTB	Checked: JTB	Reviewed: JTB	Approved: JTB
Date: 10/25/11	Checked: JTB	Reviewed: JTB	Approved: JTB
File: 10-1000-000			

BEST TITLE	
Standard Pedestrian Signal Pole and	
Hazard Beacon Details	

TS-1106